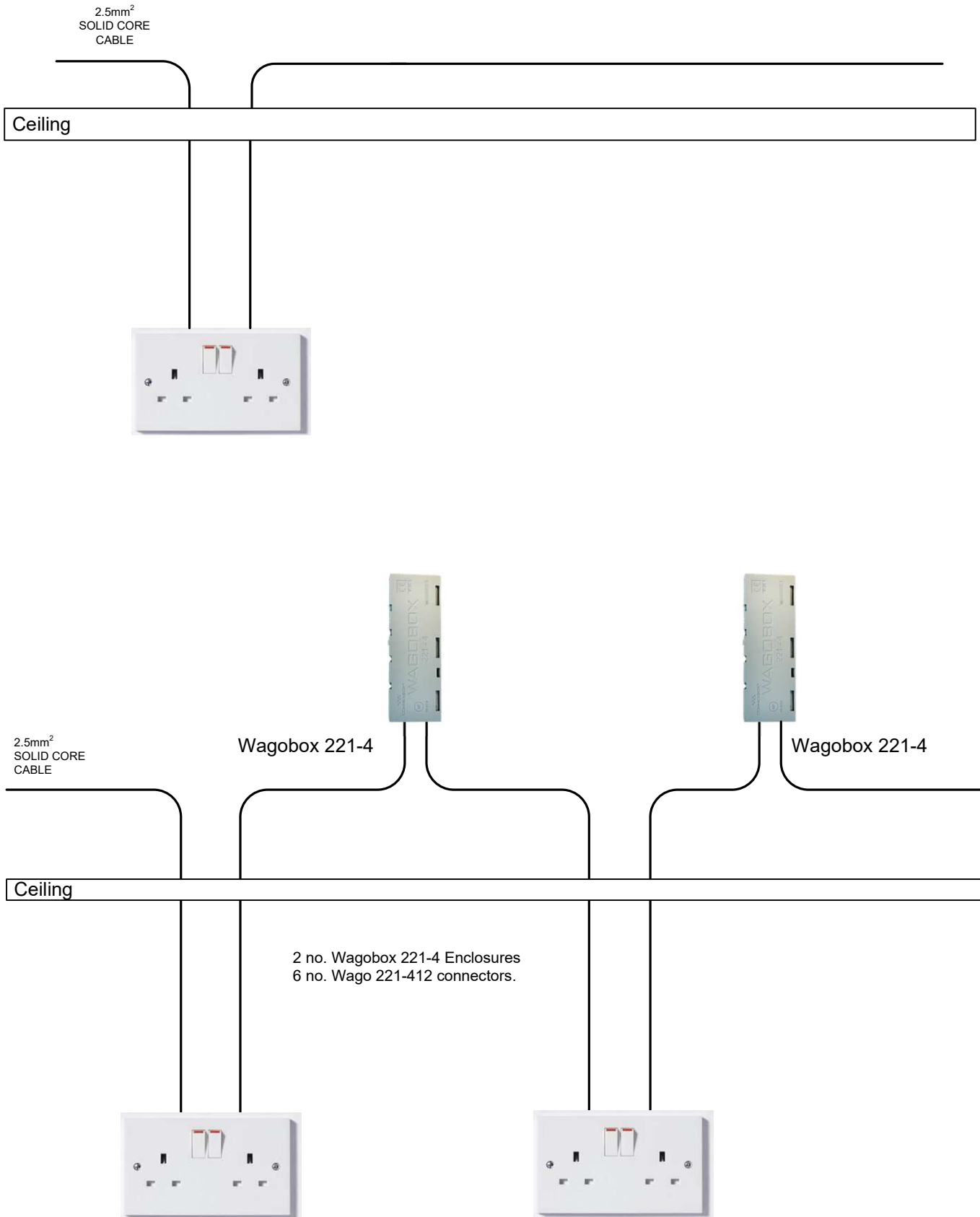


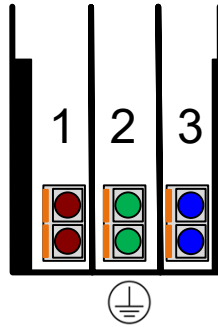
# Adding a Socket into a Ring Circuit

This application note provides guidance regarding the selection and use of Wagobox 221-4 enclosures and Wago 221-4 Series connectors. All electrical installation work should only be undertaken by a competent person.

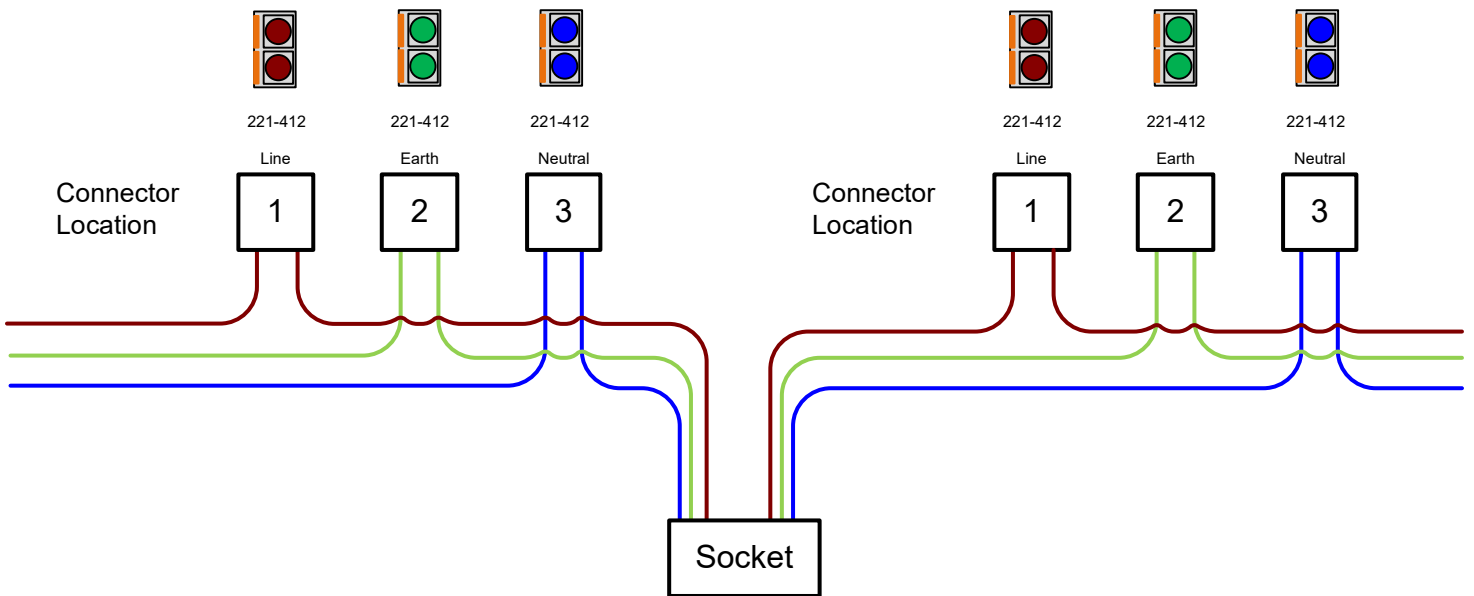


# Wiring Diagram

Connector  
Arrangement  
3x 221-412



- Solid Core Cable
- - - Stiff Stranded Cable
- ..... Flex Core Cable



**Note:**

This configuration using two Wagobox-221-4 enclosures is also applicable to inaccessible locations where an BS 5733 MF Compliant accessory is required.